



* Illustration photo only.

Jets™ Charm toilet is a wall model vacuum toilet in a porcelain design.

Jets™ Charm toilet features low water consumption, reliable flushing and discharge.

Toilet Jets™ Charm (wall mounted)

Part No.: TO611PO
Total Weight: Approx. 22.5 kg
Water Connection: BSP ½" male ball valve
Discharge Outlet: Outside diameter Ø 50 mm

Toilet Bowl Jets™ 611:

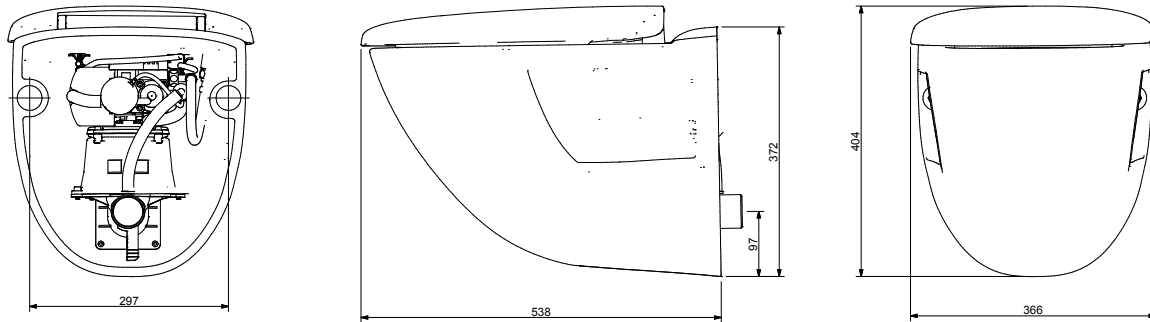
Part No.: 066607100
Outside Dimensions: 520x355x370 mm (LxWxH)
Bowl Material: Porcelain
Bowl Weight: Approx. 19 kg

Seat & Cover:

Jets™ Soft Line QR: 069608840

Note: Changes without prior notice.

Design Dimensions



Operating Data:

Flushing Time:	Approx. 5 seconds (adjustable)
Discharge Time:	Approx. 2 seconds
Water Pressure:	2-7 bar (200-700kPa)
Operating Vacuum:	30-50% vacuum
Water Consumption:	Adjustable (1,2 litres)
Air Consumption:	Approx. 60 liters at 50% vacuum

Toilet Valve Systems and Accessories

Constant Vacuum Systems (CVS™):

VFD Vacuum operated flush/discharge

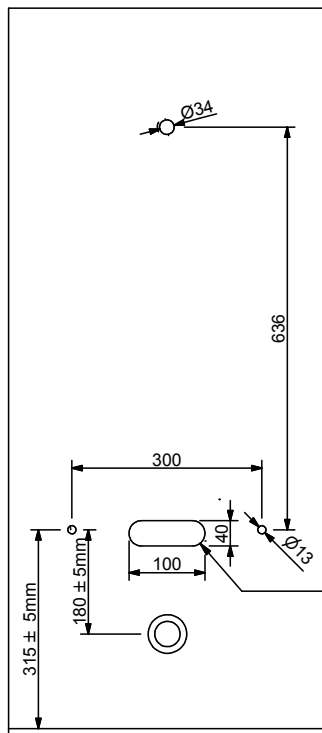
Accessories:

Vacuum Breaker Kit.....	034507320
Rubber Elbow with Clamp	034505450
Rubber Sleeve with Clamp	034505550
Rag hook w/support.....	034102902
Bracket, retrofit toilet.....	069000300

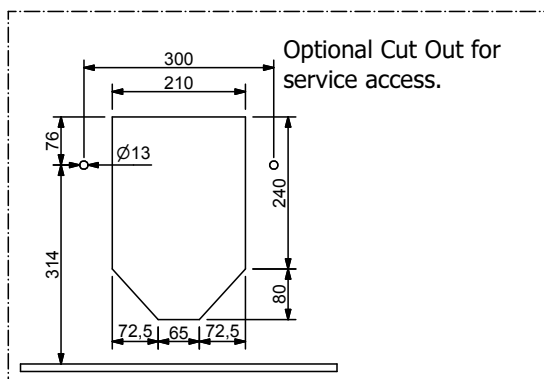
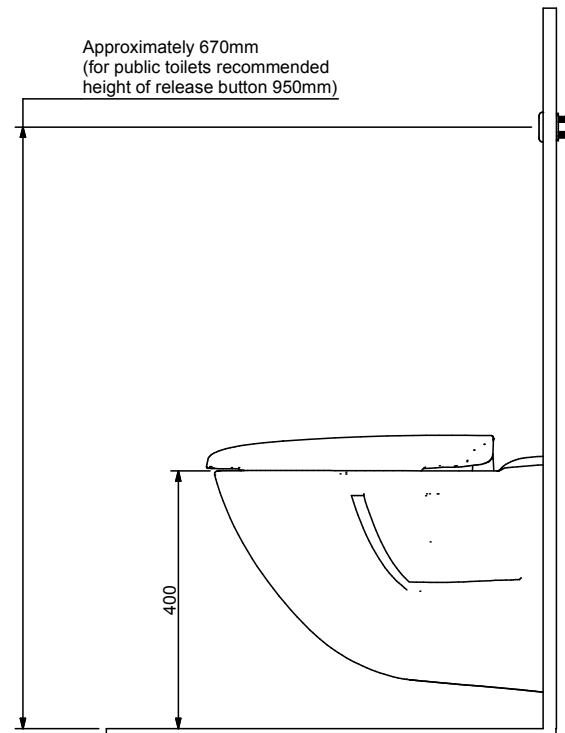
Spare Parts:

Flushing Nozzle Kit.....	069503151
Fastening Kit, wall	069606400
Label, "Don't throw".....	814200206

Mounting



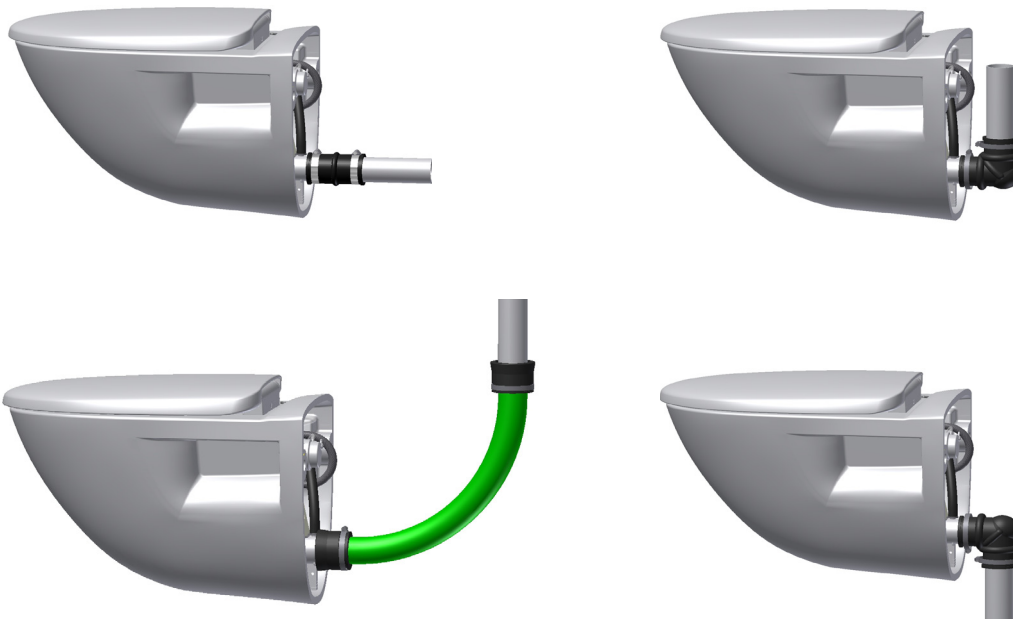
Optional:
-Water Connection
-Vacuum Breaker



Toilet Connections

Connection to the Toilet Valve

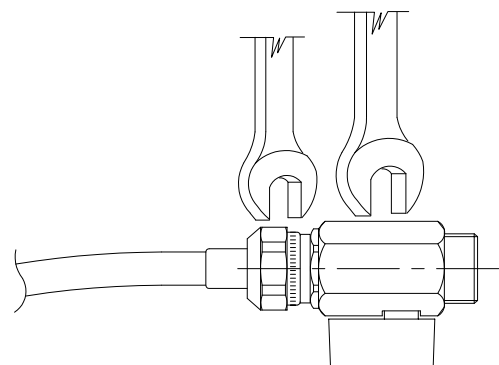
To avoid leakage between the toilet valve and the toilet bowl, it is important that the pipe is properly aligned. The rubber sleeve and the elbow are to be secured with hose clamps.



Mounting of the Flexible Hose

1. Disconnect the ball valve.
2. Connect the ball valve to the water main.
3. Connect the flexible hose to the ball valve (filter must be fitted).

Note: Do not tighten too hard.



Regulation of Water in the Toilet Bowl

The water level in the toilet is controlled by the diameter of the orifice on the VPC-V controller. See datasheet VFD Valve, Complete for information.

Storage and Maintenance Instruction

a) Storage:

Goods to be stored in a dry environment between -30°C and +40°C, Storage location to be dust free, low humidity ($\leq 95\%$) and free from moisture. Keep clear of foreign objects.

b) During transport/prior to installation:

Goods to be protected against shock, dust, grinding, welding, humidity and moisture. Suitable, adequately dimensioned transporting equipment is to be used during transportation and delivery. Note that the equipment contains components that are easily damaged as a result of inappropriate handling.

c) Installation to end use:

Site to be a dry environment between -30°C and +40°C. Instructions per item b). Note: Special attention to protection against moisture.

Environmental conditions: Goods to be stored indoor as per conditions stated above.

Visual inspections: Check for visual damage. Any damage detected after dispatch should be reported immediately to Jets AS and commissioning must be postponed until equipment has been inspected.

Inspection intervals: Upon arrival and prior to installation.

Maintenance: Not required.

Maintenance intervals: Not required.

Tools: Not required.